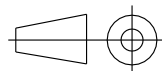
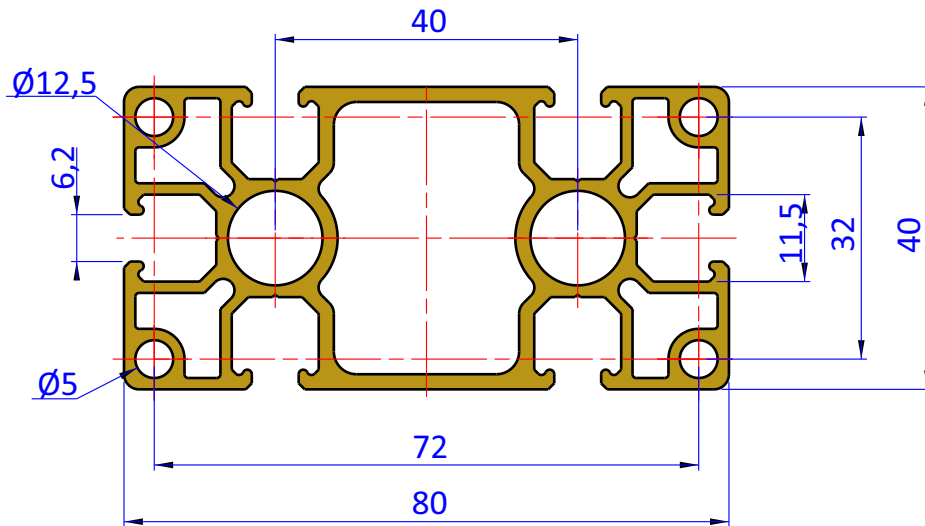
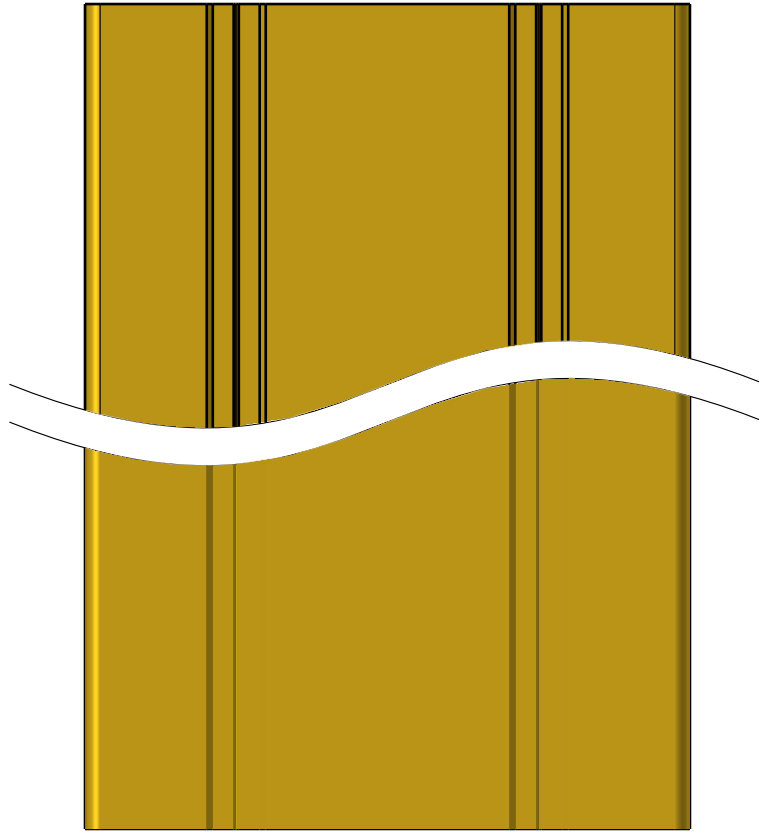


THE PROPERTY OF THE DRAWING IS ESTABLISHED BY LAW. IT IS FORBIDDEN TO PRODUCE OR SHOW IT TO THIRD PART. WITHOUT A WRITTEN AGREEMENT.

| Item | Name | Q.ty |
|------|------------------|------|
| 1 | CA.JU.8040.1000G | 1 |



| | | |
|------------------|---------|--------|
| DESIGNED FROM | | REVIEW |
| FPS Automation | | A |
| DATE | WEIGHT | |
| 17/03/2020 | 2,302kg | |
| CODE | | |
| CA.JU.8040.1000G | | |

| | |
|------------|----|
| Format | A4 |
| UNI 936-76 | |

| | |
|-------------------|--|
| GENERAL TOLERANCE | |
| UNI - ISO 2768 | |
| CLASSE f | |

| | |
|-------------|------------------|
| DESCRIPTION | CA.JU.8040.1000G |
|-------------|------------------|